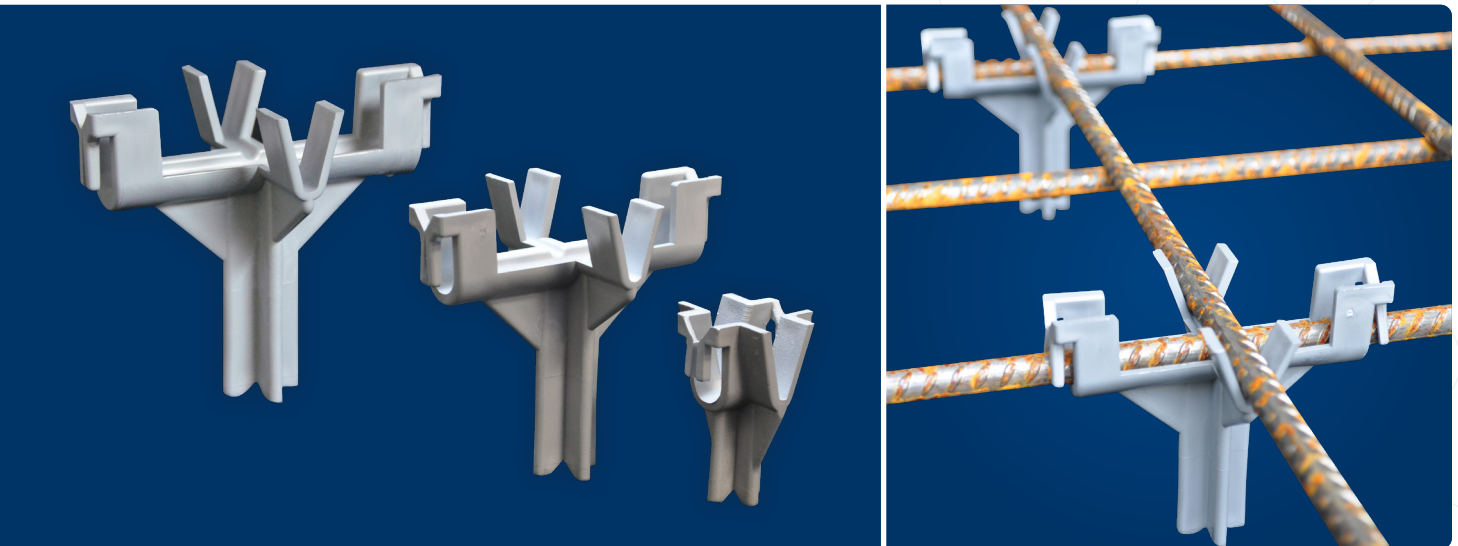


Fast Clip Mesh Chairs

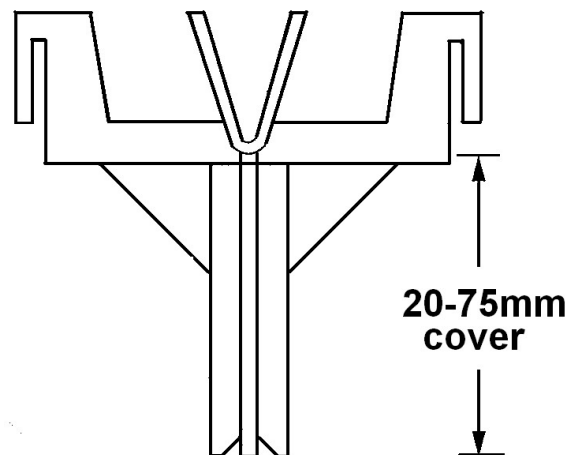


Fast clip-on chairs for mesh support are available in a wide range of cover sizes from 20mm to 75mm. The chair is designed to clip easily to the intersection of the mesh, providing greater strength and stability.

Coloured grey to match concrete, these chairs, have minimal exposure making them ideal for precast manufacturers and tilt-up construction.

Tested to AS/NZS 2425:2015

Product Code	Cover (mm)	Qty/Bag
FCM20	20	100
FCM25	25	100
FCM30	30	100
FCM35	35	100
FCM40	40	100
FCM50	50	100
FCM65	65	100
FCM75	65	100



MESH SUPPORT