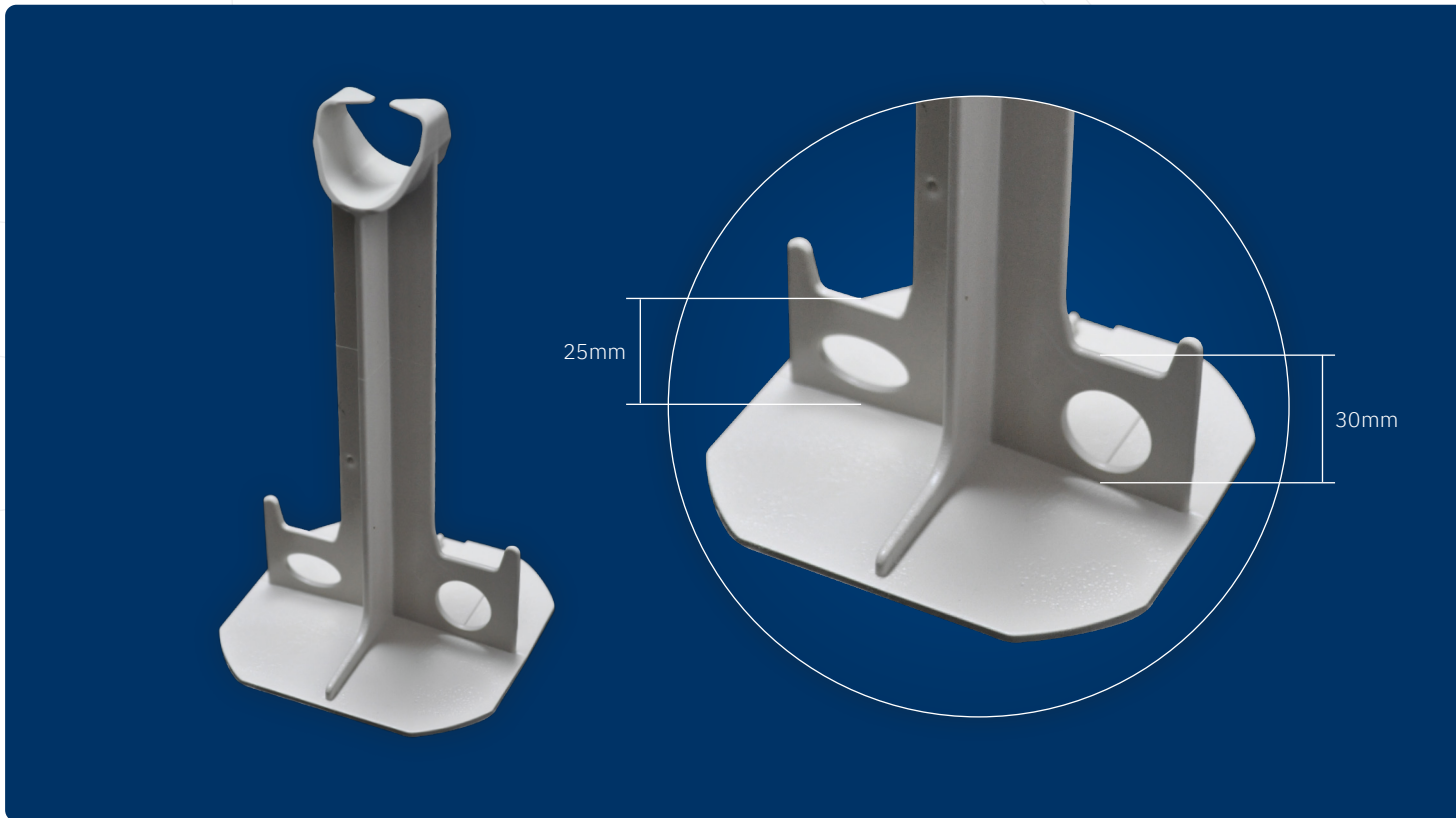


Tall Slab on Ground Bar Chairs



Tall Slab-on-Ground Bar Chairs have been designed as an economical, lightweight alternative to metal chairs and bases in deep slab situations.

There are no voids under the bar or mesh and no rust problems.

The easy clip-on system ensures that the chair stays in place whilst the integral base saves time and labour placing separate bases.

Tested to AS/NZS 2425:2015

Product Code	Cover (mm)	Qty/ Bag
BSOG 110	110	100
BSOG 120	120	100
BSOG 130	130	100
BSOG 140	140	100
BSOG 150	150	100

