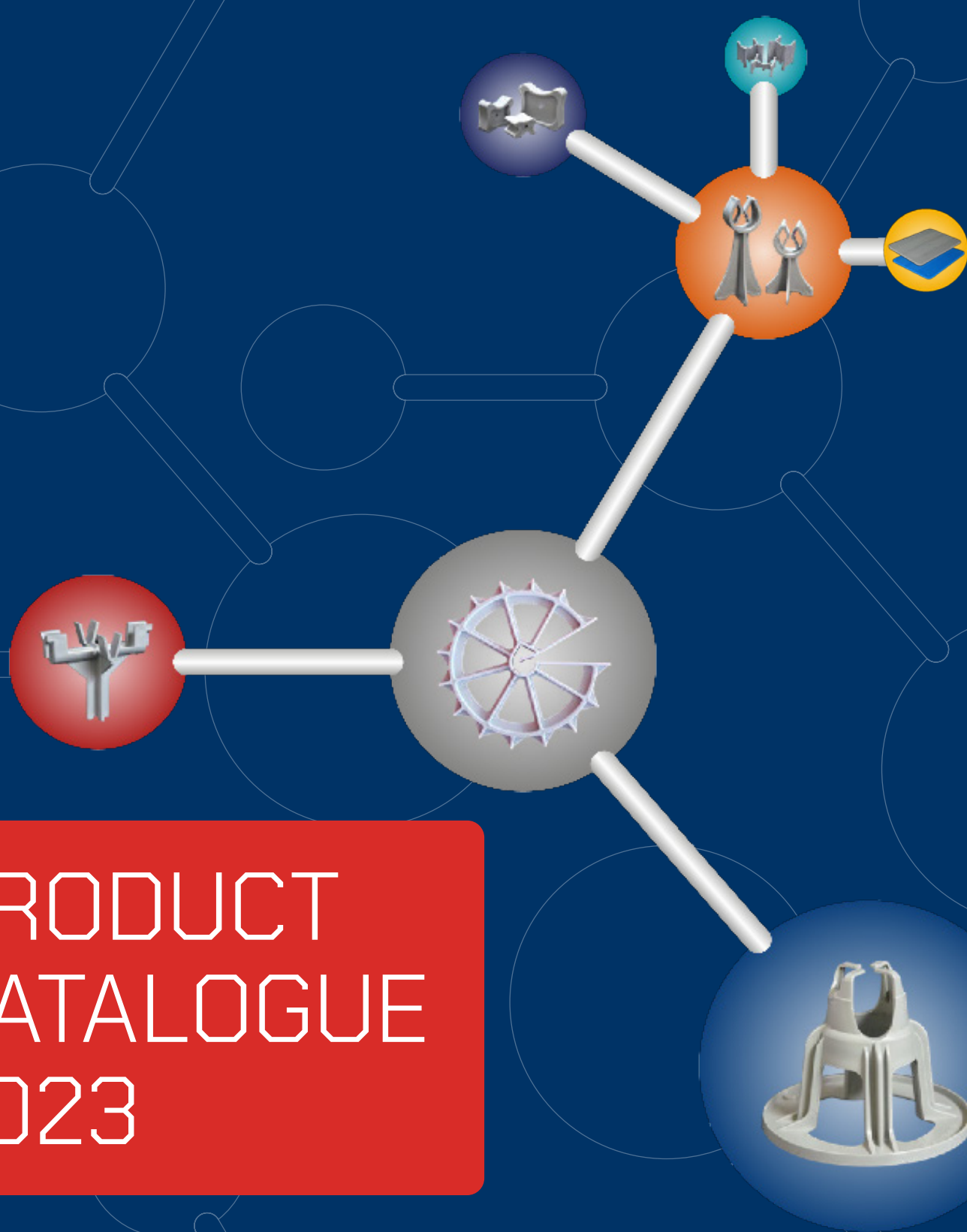


# NOVAPLAS



## PRODUCT CATALOGUE 2023

**Novaplas**

Ph: 1800 999 159

[sales@novaplas.com.au](mailto:sales@novaplas.com.au)

[www.novaplas.com.au](http://www.novaplas.com.au)

**NOVAPLAS**



ESTABLISHED

30+ Years of Experience

WHAT WE DO

Australian manufacturers  
of plastic spacers for the  
construction industry.

WHAT WE OFFER

Exceptional service  
Quality products

## Contents



Combination Slab on  
Ground Bar Chairs . . . . . 4



Tall Slab on  
Ground Bar Chair . . . . . 5



Trench Mesh Supports . . . . . 6



Baseless Combination  
Panel Chairs . . . . . 7



Fast Clip Mesh Chair . . . . . 8



Fast Clip Bar Chair . . . . . 9



Top Deck Spacers . . . . . 10



Bottom Deck Spacers . . . . . 11



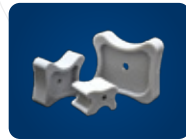
350mm Bolster  
Deck Rail . . . . . 12



750mm Continuous  
Deck Rail . . . . . 13



Deck Ring Spacer . . . . . 14



Novabone Heavy  
Duty Bar Spacer . . . . . 15



Circular Spacers . . . . . 16



HD Pile Cage Spacer. . . . . 17



Bar Guards &  
Star Picket Caps . . . . . 18



Starter Bar Cap . . . . . 19



Panel & Formwork  
Accessories . . . . . 20



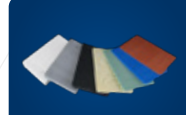
Conduit and Cones . . . . . 21



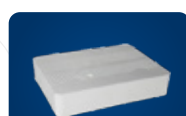
Fillet and False Joint . . . . . 22



Horseshoe Window  
Packers . . . . . 23



Full Shims  
150mm x 100mm . . . . . 24



Half Shims  
100mm x 75mm . . . . . 25



Horseshoe  
Packing Shims . . . . . 26

## Combination Slab on Ground Bar Chairs



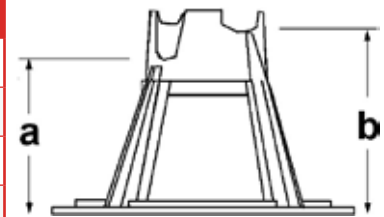
Our slab on ground bar chairs are light weight and stackable for ease of handling. These dual height reinforcement spacers are designed for ground floor slabs where support for steel is required without puncturing the polymer membrane. Manufactured from selected recycled plastics for superior performance. Supplied in coloured bags for easy size identification.

**Tested to AS/NZS 2425:2015**

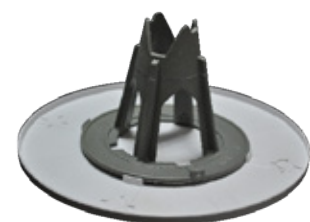
### Base Plates

The plastic sand tray provides most types of chairs with extra stability in slab on ground construction. Baseplates are 200mm diameter and have locating pins to prevent movement of the chair.

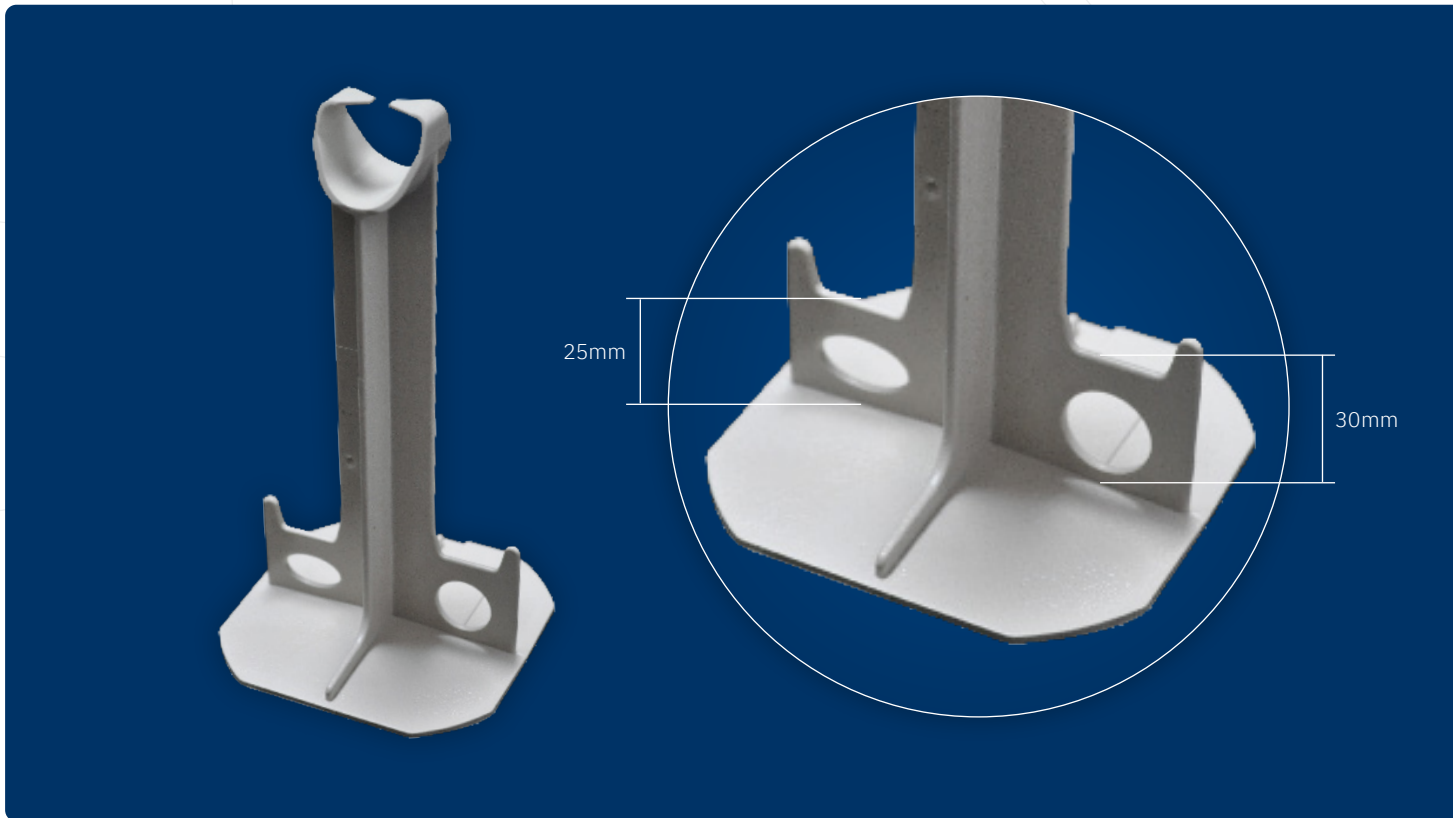
Product Code	Cover (mm)		Qty/ Bag
	a	b	
SOG 25/40	25	40	100
SOG 25/40C	25	40	100
SOG 30/45	30	45	100
SOG 50/65	50	65	100
SOG 50/65C	50	65	100
SOG 75/90	75	90	100
SOG 75/90C	75	90	100
SOG 85/100	85	100	100
SOG 105/110	105	110	100
SOG 115/120	115	120	100
SOG 125/130	125	130	100
SOG 135/140	135	140	100
SOG 145/150	145	150	100



Product Code	OD (mm)	Qty/ Bag
BSW 200	200	100



## Tall Slab on Ground Bar Chairs



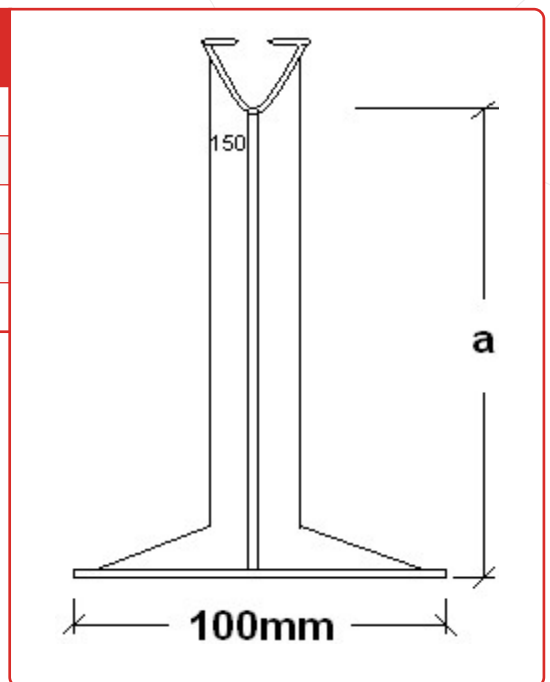
Tall Slab-on-Ground Bar Chairs have been designed as an economical, lightweight alternative to metal chairs and bases in deep slab situations.

There are no voids under the bar or mesh and no rust problems.

The easy clip-on system ensures that the chair stays in place whilst the integral base saves time and labour placing separate bases.

**Tested to AS/NZS 2425:2015**

Product Code	Cover (mm)	Qty/ Bag
BSOG 110	110	100
BSOG 120	120	100
BSOG 130	130	100
BSOG 140	140	100
BSOG 150	150	100



## Trench Mesh Supports



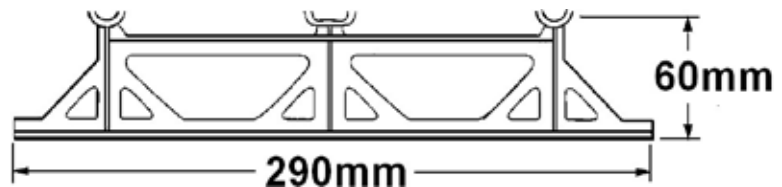
Trench Mesh Supports have been designed with a clip-on at both sides to allow the support to be fitted prior to lowering the mesh into the trench. A non clip-on support in the centre allows for tolerances in the main wire spacing of the trench mesh.

The maximum width of 290mm avoids interference with the sides of narrow trenches.

Trench Mesh Supports can accommodate 8, 11, and 12mm bar or mesh, with 60mm cover.

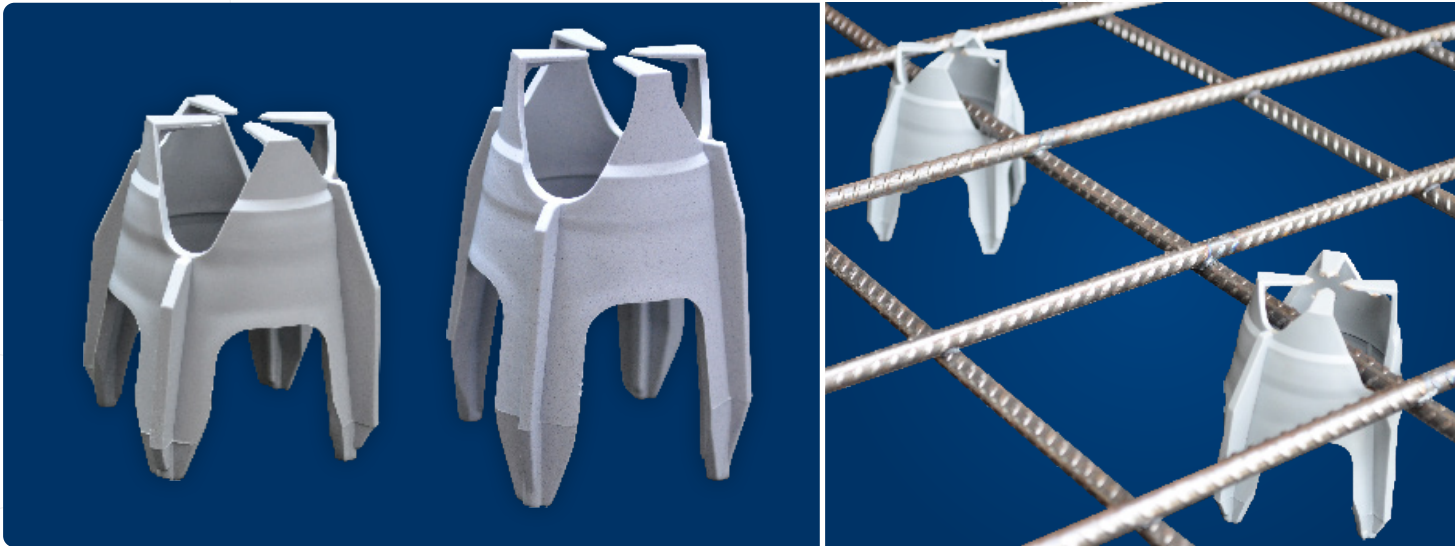
**Tested to AS/NZS 2425:2015**

Product Code	Cover (mm)	Qty/Bag
TMS	60	25





## Baseless Combination Panel Chairs



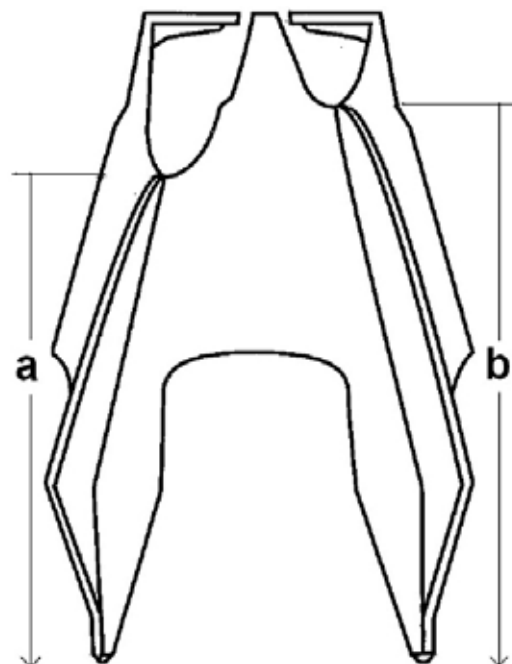
Baseless Panel Chairs are used extensively in precast applications. They have been designed to support single layered mesh in tilt-up, precast panels and some suspended deck applications.

Pointed legs ensure minimum visibility on the surface of the concrete. The chair is coloured a consistent grey to match the concrete.

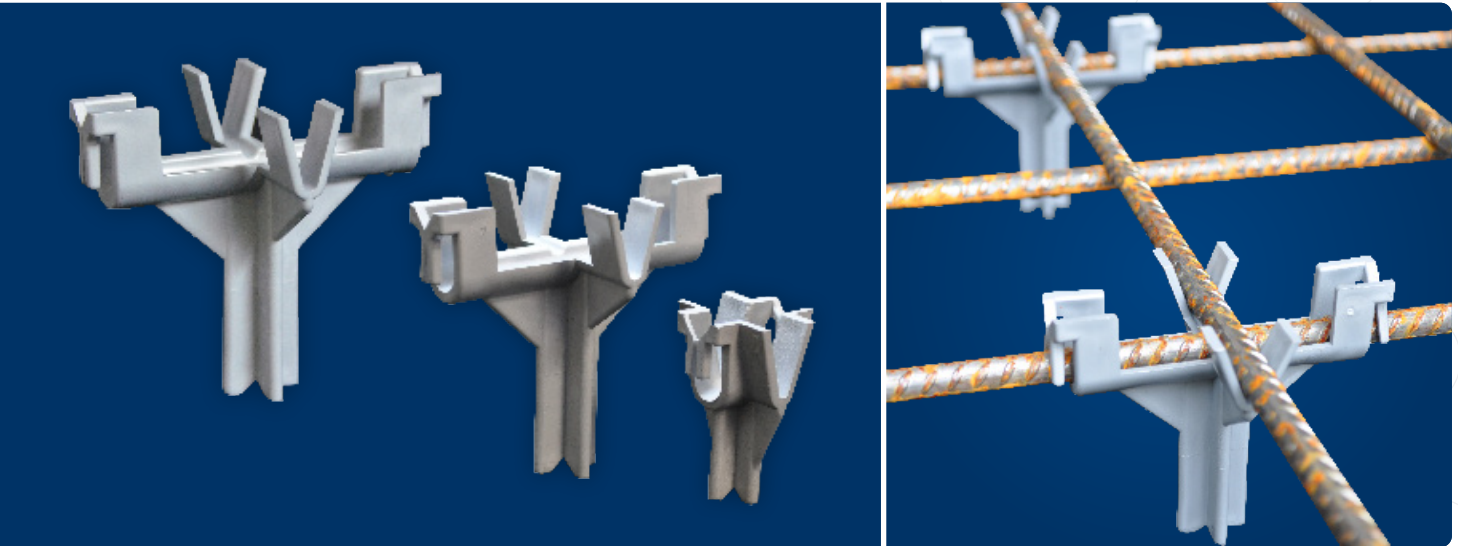
The easy push on clip mechanism allows for the chair to swing into a vertical position, when lowering the mesh into the form and suits all mesh sizes including Y12 bars.

**Tested to AS/NZS 2425:2015**

Product Code	Cover (mm)		Qty/Bag
	a	b	
BPANEL30/40	30	40	100
BPANEL50/65	50	65	100
BPANEL65/75	65	75	100



## Fast Clip Mesh Chairs

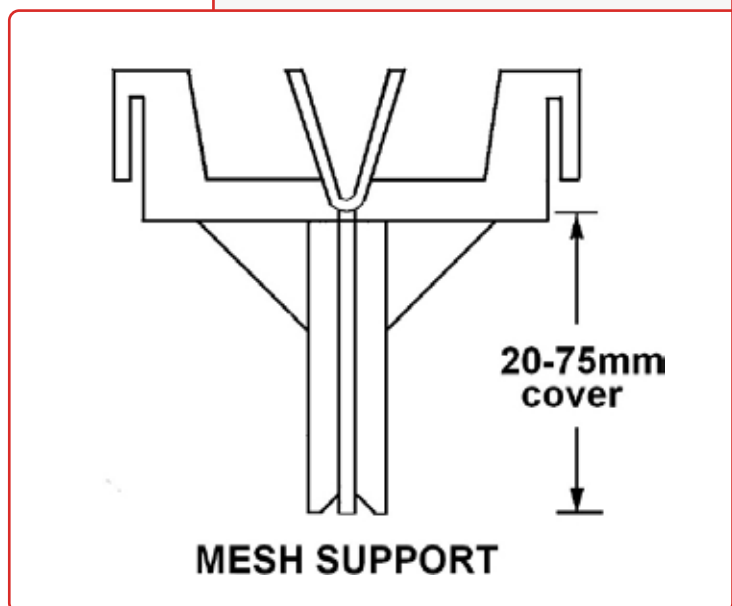


Fast clip-on chairs for mesh support are available in a wide range of cover sizes from 20mm to 75mm. The chair is designed to clip easily to the intersection of the mesh, providing greater strength and stability.

These chairs have minimal exposure making them ideal for precast manufacturers and tilt-up construction.

**Tested to AS/NZS 2425:2015**

Product Code	Cover (mm)	Qty/Bag
FCM20	20	100
FCM25	25	100
FCM30	30	100
FCM35	35	100
FCM40	40	100
FCM50	50	100
FCM65	65	100
FCM75	65	100



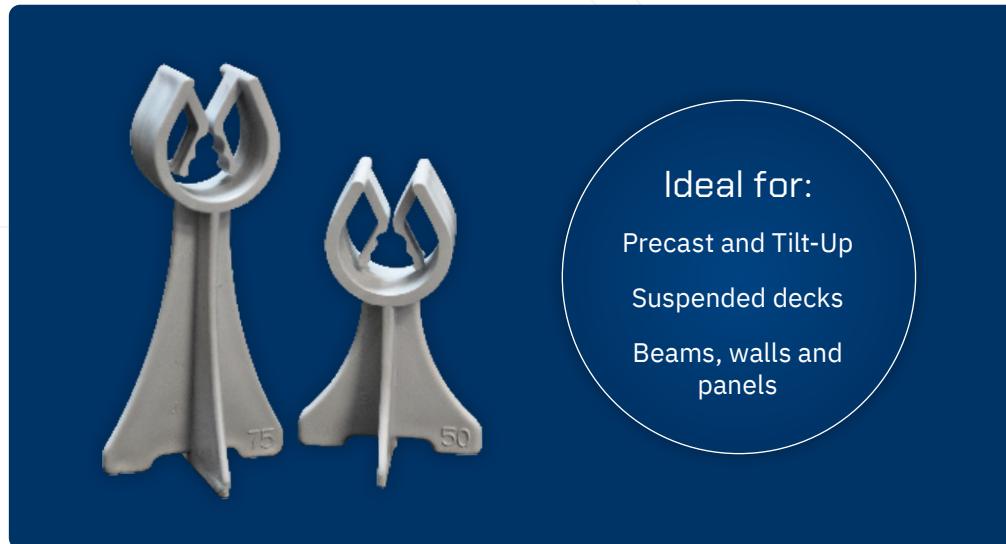


## Fast Clip Bar Chairs

Fast Clip-on Bar Chairs are designed to make steel fixing and traceability easier, with each chair identified by cover.

They are made from quality materials and come in two head sizes to accommodate different bar sizes, one for bar 4mm to 20mm and the other for bar 20mm to 36mm. The convenient, economical range is designed for minimal exposure.

**Tested to AS/NZS 2425:2015**



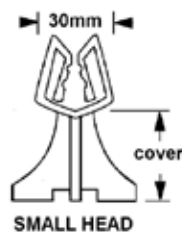
Ideal for:

Precast and Tilt-Up  
Suspended decks  
Beams, walls and panels

### Small Head

For 4mm – 20mm bar.

Product Code	Cover (mm)	Qty/Bag
FCB20	20	100
FCB25	25	100
FCB30	30	100
FCB35	35	100
FCB40	40	100
FCB45	45	100
FCB50	50	100
FCB60	60	100
FCB65	65	100
FCB75	75	100

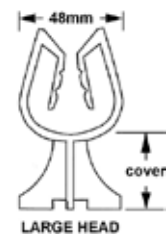


SMALL HEAD

### Large Head

For 20mm – 36mm bar.

Product Code	Cover (mm)	Qty/Bag
FCBP30	30	100
FCBP40	40	100
FCBP50	50	100
FCBP65	65	100
FCBP75	75	100



LARGE HEAD

## Top Deck Spacers



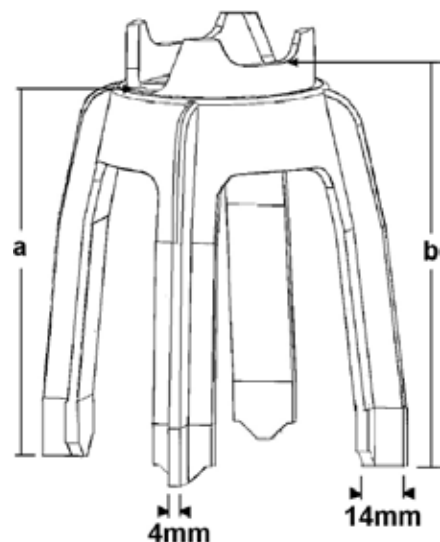
Top Deck Spacers have been designed to support both top mesh and top reinforcing bars in suspended decks, thick precast and tilt-up panels and any tall spacer applications, where strength and stability is critical

The spacer leaves a minimal foot print and is supplied in grey colour.

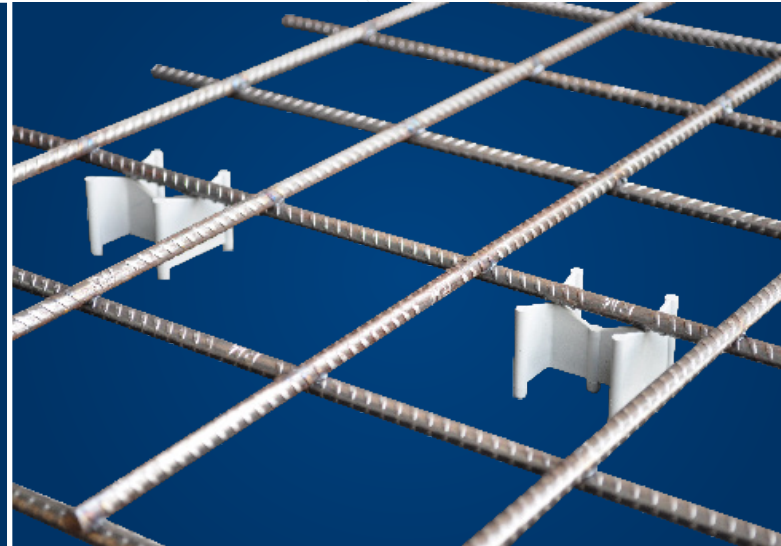
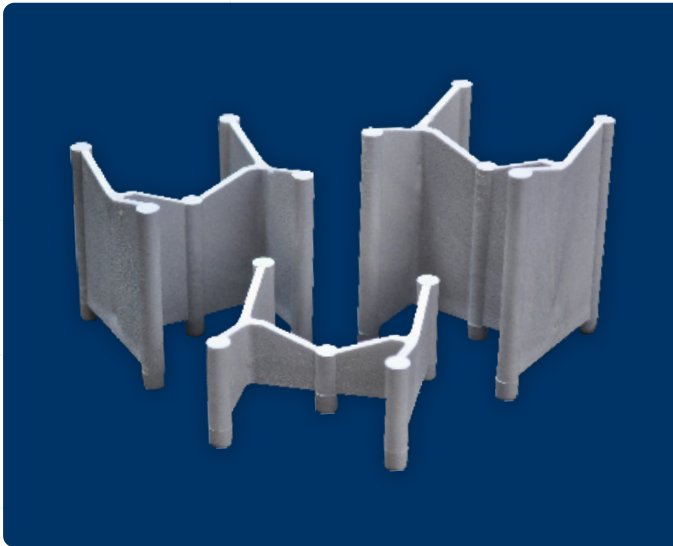
An added feature is a cross bar between the dual supports, to allow tying the reo with wire, if required.

**Tested to AS/NZS 2425:2015**

Product Code	Height (mm)		Qty/Bag
	a	b	
TDK 65/75	65	75	50
TDK 90/100	90	100	50
TDK 110/120	110	120	50
TDK 130/140	130	140	50
TDK 150/160	150	160	50
TDK 170/180	170	180	50
TDK 190/200	190	200	50



## Bottom Deck Spacers



Bottom Deck Spacers have been designed to support both mesh and large bars in suspended decks, precast beams and panels, and tilt-up applications. Bottom Deck Spacers are light, dual heights and have no rust problems.

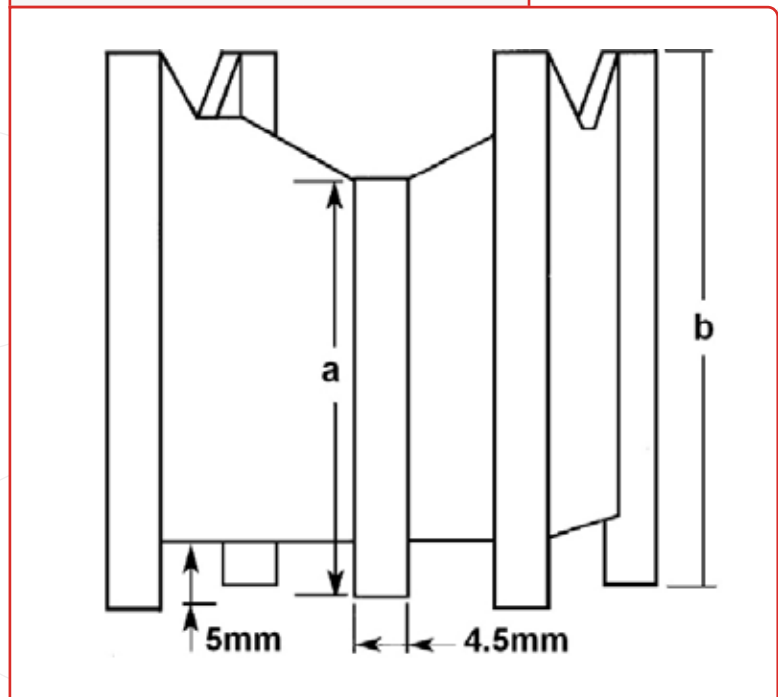
Strong and stable, the spacers have 5 small dimples that ensure minimal form contact. The dimples also allow for tie wire to be placed under the spacer for fixing reo if required.

Having supports for the reo with no clips, means one spacer fits all common reo size, saves steel-fixing time in horizontal applications, and the strain on hands pushing clips all day.

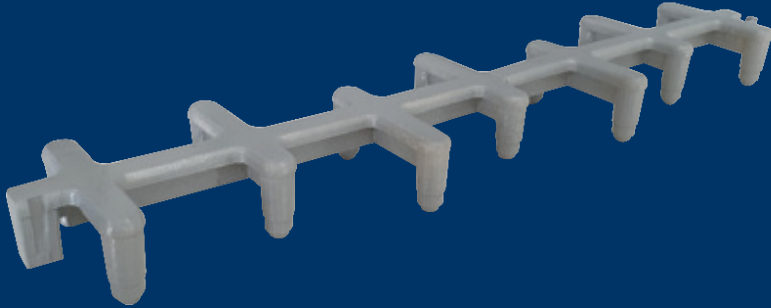
**Tested to AS/NZS 2425:2015**

Product Code	Height (mm)		Qty/ Bag
	a	b	
BPDS 15/20	15	20	100
BPDS 25/30	25	30	100
BPDS 35/40	35	40	100
BPDS 45/50	45	50	100

*Refer to Novabone page for heavy duty bottom deck spacers (page 15).*



## 350mm Bolster Deck Rail



Ideal for:  
Tunnel Segments  
Government Projects

The 350mm long plastic Bolster Deck Rail is a continuous spacer which is strong and stable for precast or formwork applications. The Deck Rail is designed with sets of vertical legs at approximately 50mm centres allowing a free concrete flow. The legs have pointed tips on the base for minimal form contact.

Bolster deck rails have a clip connection system at each end to enable joining to any given length on site. Once connected the clip will not separate.

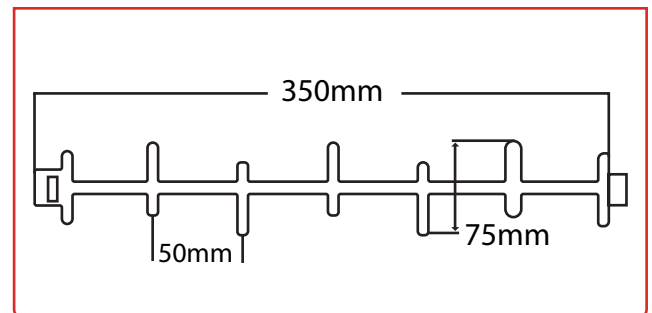
Deck Rails eliminate the need for either clipping bar chairs onto the reinforcement or “chairing up” after the reinforcement has been placed.

**Shorter lengths are preferred in Government projects rather than longer continuous spacers.**

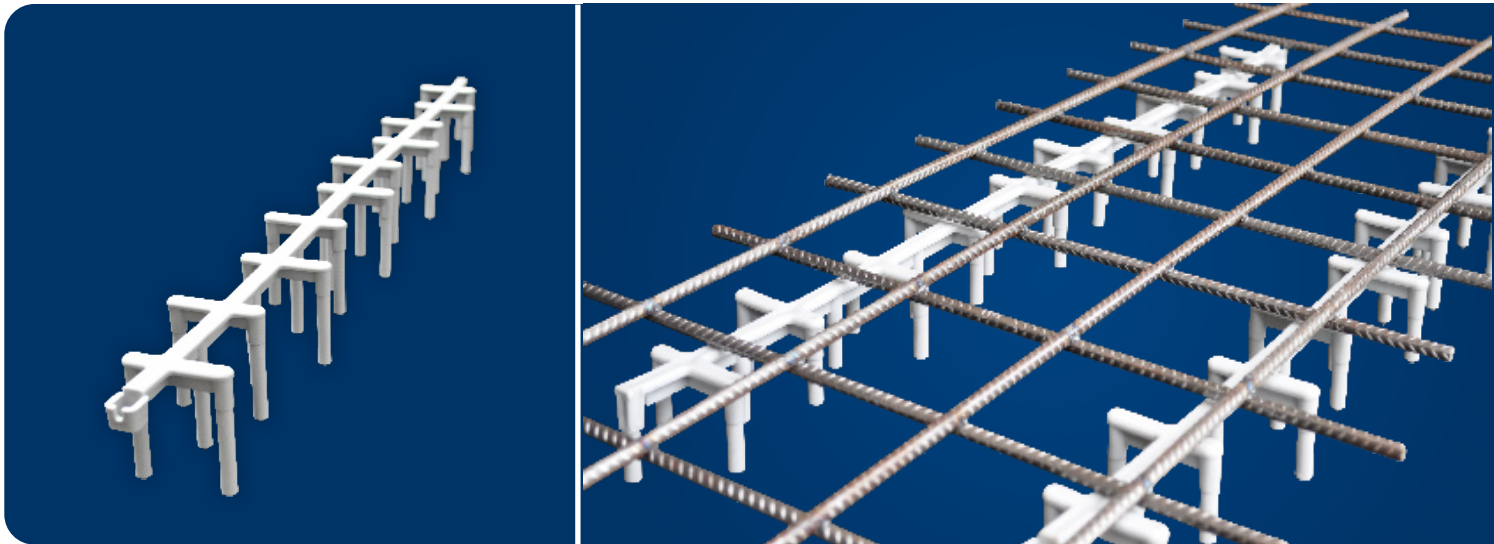
### Ideal for:

- Suspended Decks
- Precast or Tilt-Up Panels
- Insitu Precast Beams
- Slabs on Blinding Concrete
- Government projects

Product Code	Height (mm)	Qty/Bag
BDRS25	25	50
BDRS30	30	50
BDRS35	35	50
BDRS40	40	50
BDRS45	45	50
BDRS50	50	50



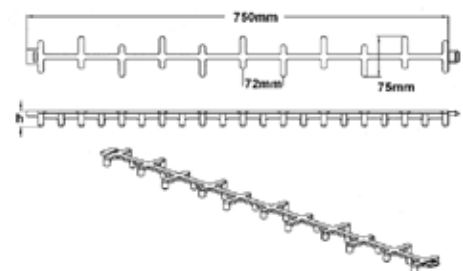
## 750mm Continuous Deck Rail



The 750mm long Deck Rail is a continuous spacer which is strong and stable for formwork applications. The Deck Rail is designed with sets of vertical legs at approximately 75mm centres, allowing a free concrete flow. The legs have pointed tips on the base for minimal form contact. Deck rails have a clip connection system at each end to enable joining to any given length on site. Once connected the clip will not separate.

**Tested to AS/NZS 2425:2015**

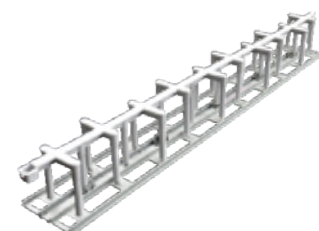
Product Code	Height (mm)	Qty/Bag
BDR025	25	25
BDR030	30	25
BDR035	35	25
BDR040	40	25
BDR045	45	25
BDR050	50	25
BDR055	55	25
BDR060	60	25
BDR065	65	25
BDR070	70	25
BDR075	75	25
BDR080	80	25
BDR090	90	25



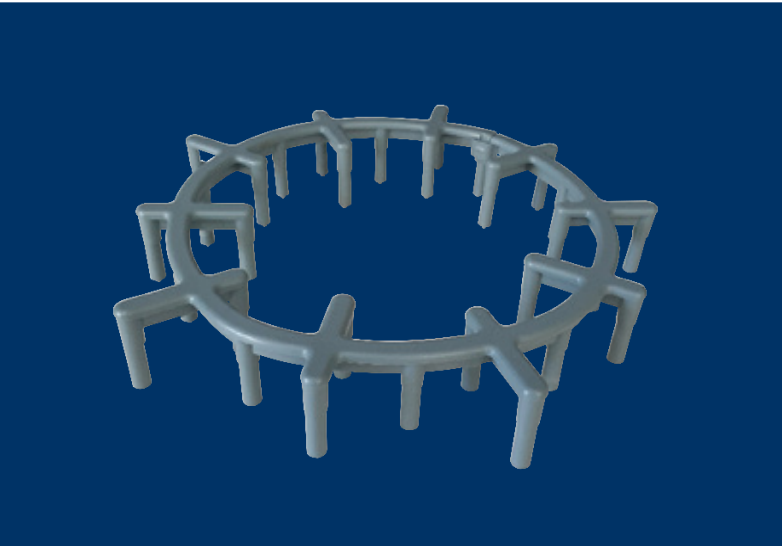
### Base Plates for Deck Rail

Base plates to suit 750mm Deck Rail to provide a stable base.

Product Code	Qty/Bag
BDBASE	50



## Deck Ring Spacer



Deck Ring Spacers are 300mm in diameter. These spacers are a strong and stable round spacer commonly used in decks, walls, floors, and formwork applications. They are also used as an alternative to concrete spacers – triangle or square. The spacers are designed with vertical legs from 25mm to 90mm high. The legs have pointed tips on the base for minimal form contact.

**User friendly, easy throw-to-position design.**

**Extra strong materials for heavy bar loads.**

**Engineered for infrastructure projects.**

**Made from recycled plastic.**

Deck Rings eliminate the need for either clipping bar chairs onto the reinforcement or “chairs up” after the reinforcement has been placed.

**Ideal for:**

- Suspended Decks
- Precast or Tilt-Up Panels
- Insitu Precast Beams
- Slabs on Blinding Concrete

Product Code	Height (mm)	Qty/Bag
DRS25	25	20
DRS30	30	20
DRS35	35	20
DRS40	40	20
DRS45	45	20
DRS50	50	20
DRS55	55	20
DRS60	60	20
DRS65	65	20
DRS70	70	20
DRS75	75	20
DRS80	80	20
DRS90	90	20



## Novabone Heavy Duty Bar Spacer

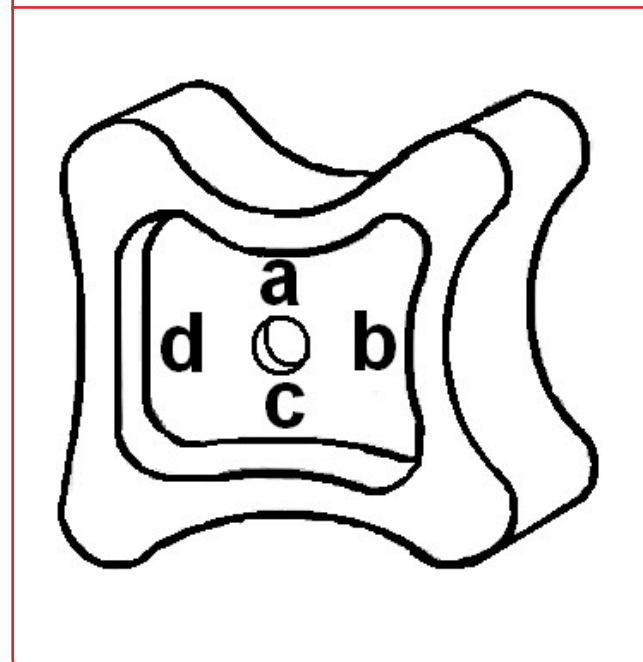


Novabone bar spacers have been designed specifically for heavy weight and large diameter reinforcing bars used in concrete beams for structures such as bridges.

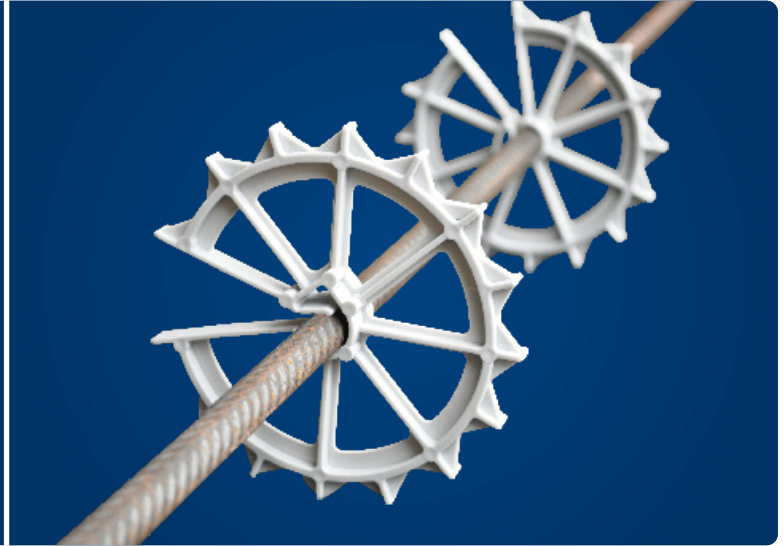
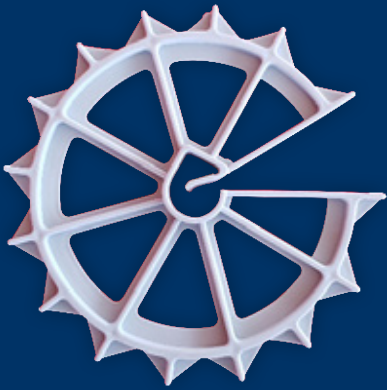
- Economical alternative to concrete moulded spacers
- Manufactured from high strength engineering polymer
- Coloured to match concrete
- Moisture resistant
- Central hole for tie wire
- Withstands high ambient temperatures
- Laboratory tested

**Tested to AS/NZS 2425:2015**

Product Code	Height (mm)				Qty/ Bag
	a	b	c	d	
NB 20/35	20	25	30	35	100
NB 40/55	40	45	50	55	100
NB 60/75	60	65	70	75	50



## Circular Spacers

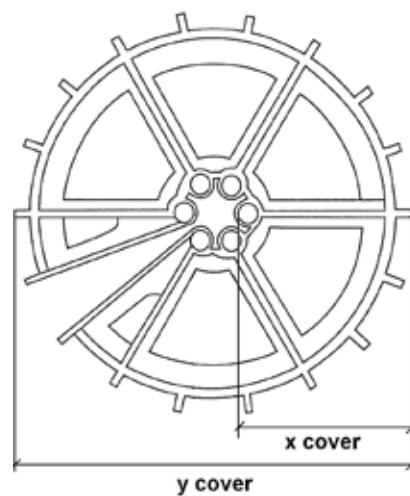


Circular spacers are designed and manufactured from quality plastics, for strength and stability. They are coloured grey.

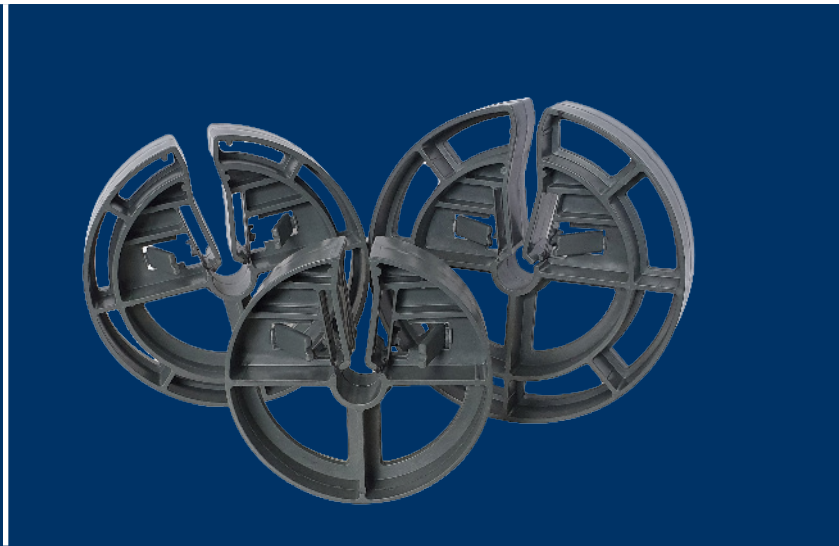
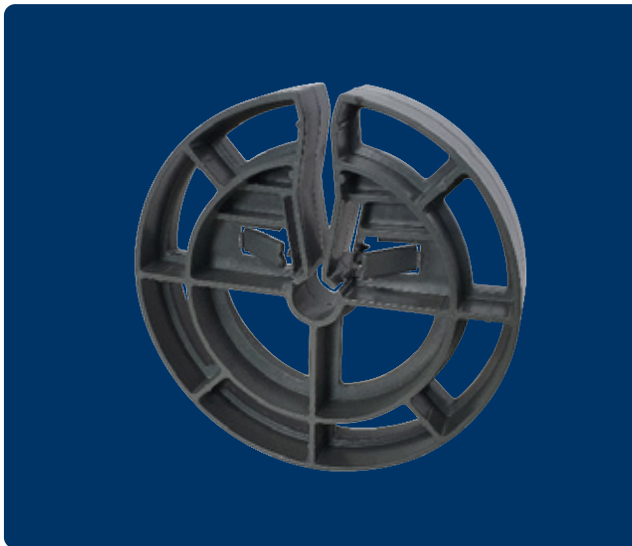
The unique design offers accurate cover for 360 degrees. It will not twist when in position due to the in-built sleeves which adjust to hold a wide range of bar sizes firmly. As the size of the bar increases the cover remains the same.

Circular spacers have an open construction, and will not interrupt concrete flow.

Product Code	Bar Size (mm)	Cover (mm)		Qty/Bag
		x	y	
CB25 CR12	8-12	25	60	100
CB30 CR12	8-16	30	70	100
CB40 CR12	8-16	40	90	100
CB50 CR12	8-16	50	110	100
CB65 CR12	8-12	65	145	100
CB75 CR12	8-12	75	160	100



## Heavy Duty Pile Cage Spacer



Heavy Duty Pile Cage spacers are designed and manufactured from quality plastics, for strengthened stability. The unique design offers accurate cover for 360 degrees.

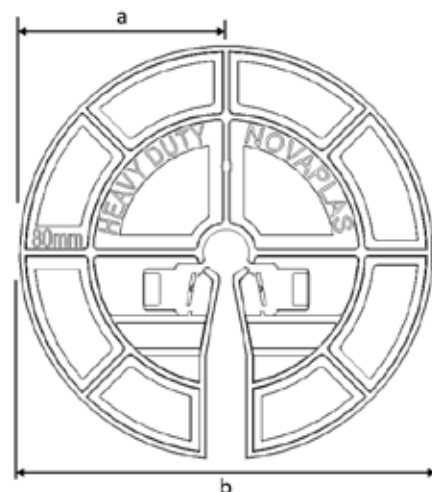
The Heavy Duty Pile Cage Wheels can be attached as the Pile Cage is lowered into the ground.

The spacer will not twist when in position due to the in-built sleeves which adjust to hold a wide range of bar sizes firmly.

The cage spacer has built in locking tabs which lock it in place, preventing the cage spacer falling off.

- **Manufactured from Recycled Materials**
- **Simple Push Fit installation Built-in Security Clip**
- **Suits Bar Sizes 10-20mm**

Product Code	Bar Size (mm)	Cover (mm)		Qty/ Bag
		a	b	
HD SPACER 50/20	10-20	50	120	30
HD SPACER 65/20	10-20	65	150	30
HD SPACER 75/20	10-20	75	170	30
HD SPACER 80/20	10-20	80	180	30
HD SPACER 85/20	10-20	85	190	30
HD SPACER 90/20	10-20	90	200	30
HD SPACER 100/20	10-20	100	220	30



## Bar Guards & Star Picket Caps



Novaplas manufactures UV Stabilised Bar Guards and safety caps that reduce the chance of cuts and abrasions from exposed reinforcing bars. Suitable for bar from 12mm to 36mm.

Bar guards also fit over star pickets and have a connecting tie which attaches to the post. This tie prevents the cap falling off. Bar guards are not designed for high load vertical impacts.

Product Code	Qty/Bag
BARGUARD	100

### Scaffold End Caps

These yellow caps are designed to fit over exposed scaffold tube ends to increase visibility and prevent cement entering the tube.

Product Code	Qty/Bag
SCAFFCAPS	250



## Starter Bar Cap



Product Code	Bar Size (mm)	Qty/Bag
RESK12/20	12-20	50

Product Code	Bar Size (mm)	Qty/Bag
RESK24/36	24-36	50

The Novacap is the simplest solution to providing protection from exposed or protruding reinforcing bars on-site. Providing both impalement protection and scratch resistance, the Novacaps are quick and easy to fit, economical and safe.

Please note that the Novacap is not designed for high load vertical impacts, such as someone falling from height.

- High visibility Yellow to suit bars from 12-20mm nominal diameter
- High visibility Orange to suit 24-36mm nominal diameter bars and star pickets
- Manufactured from robust, UV-stabilised Polypropylene
- Internal ribs within sleeve to hold cap centrally on bar
- Reusable and economical
- Scratch guard
- Can be used with scaffolding for added safety from exposed ends
- Easily transportable and require little storage space
- Easy to install

## Panel & Formwork Accessories



### Precast Panel ID Plates

Panel Identification Plates are ideal for marking concrete panels permanently. They are cast into panels for clear identification, quality control details and specifications.

If required, the Panel ID Plates can be removed after installation.

Product Code	Size (mm)	Qty/Bag
IDPLATE	180x75	100



### Ferrule Patch Caps

Concrete grey patches that are inserted into 20mm ferrules, when props have been removed from the panels. Eliminates grouting of the ferrule holes, even if the ferrules are not perpendicular to the panel face.

Patch Plates are coloured to a concrete grey and are simply adhered over the voids in the panels with a construction adhesive.

Product Code	Diameter (mm)	Qty/Bag
FWVC80	80	100
FWVC150	150	100

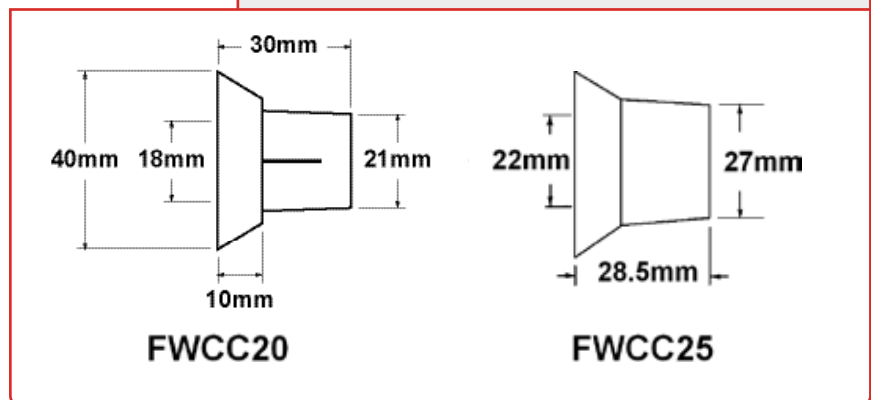


## Conduit and Cones



The simple push on plastic cones and conduit are used to provide accurate clearance for formwork tie systems, with 15mm or 20mm tie bars, conduit supplied in 2.9 metre lengths.

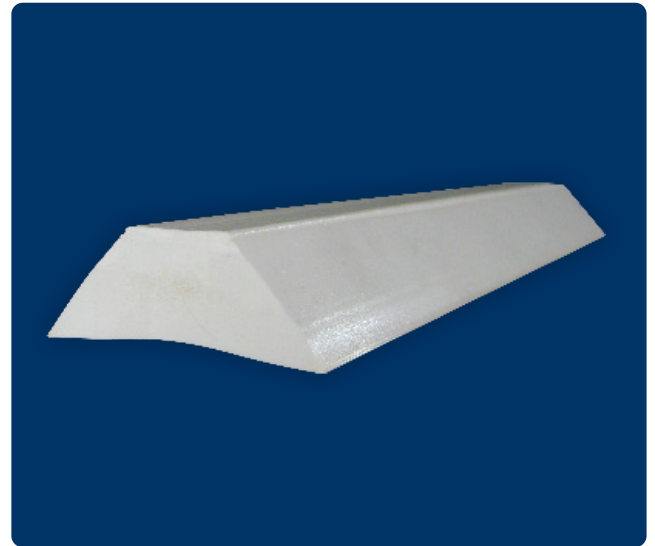
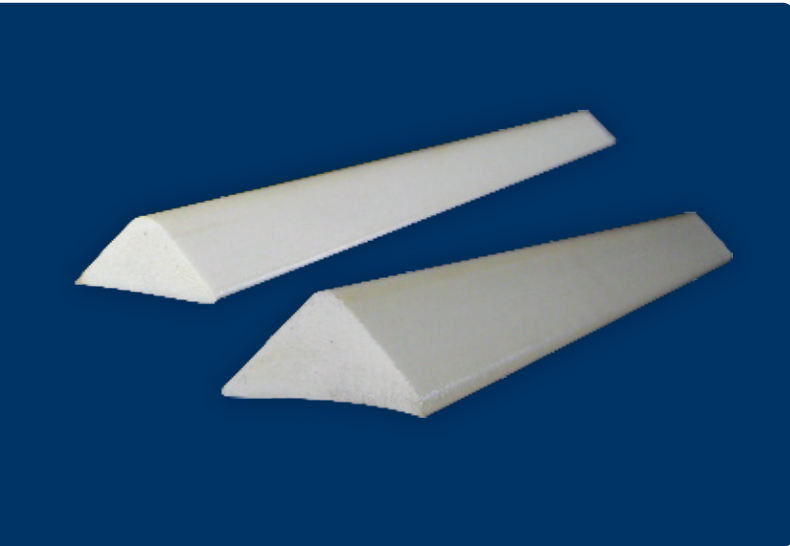
Product Code	Nominal (mm)	Qty/Bag
FWCC 20	20	500
FWCC 25	25	500



Product Code	Nominal (mm)	Bundle
FWCOND20	20	25 x 2.9m
FWCOND25	25	10 x 2.9m



## Fillet and False Joint



### Fillet

Available in a large or small profile, fillet is nailed or glued to formwork, to create a neat chamfer on panel edges. The small profile is also available with the additional nailing tail or strip.

### False Joint

For architectural appearances the reusable False Joint (dummy joint) forms decorative joints into precast panels when casting.

Product Code	Qty/Bundle
FWFIL12	25 x 2.9m
FWFIL19	25 x 2.9m

Product Code	Qty/Bundle
FWFJ40 2.9M	10 x 2.9m

## Horseshoe Window Packers

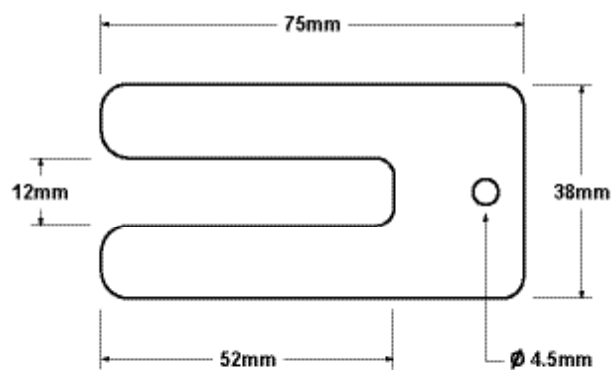


These plastic tapered shims are very good for adjusting and squaring up door and window frames.

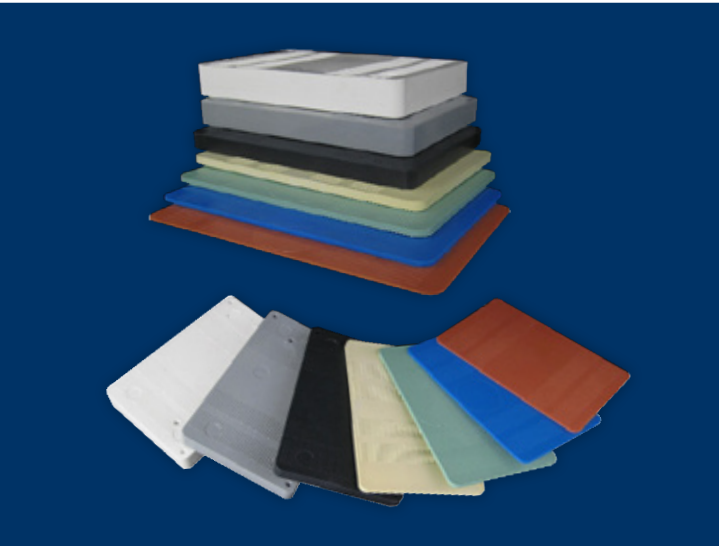
As they are waterproof and made from a high compressive strength material, they are perfect for exterior applications.

These horseshoe packing shims are Made in Australia.

Product Code	Thickness	Colour	Qty/Box
HP015	1.5mm	White	2500
HP030	3.0mm	Blue	1500
HP050	5.0mm	Red	1000
HP065	6.5mm	Green	750
HP100	10.0mm	Black	500



## Full Shims 150mm x 100mm

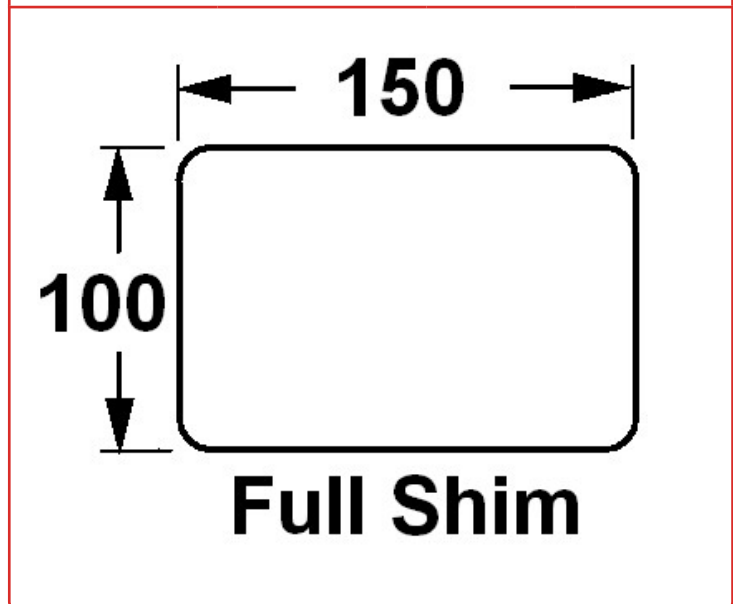


Solid Plastic Packers designed for packing underneath precast or tilt-up concrete panels during alignment on site, to gain a level with a non-skid surface.

Colour coded by thickness for ease of selection. The packing shims are manufactured from quality high impact polypropylene and tested with compressive loads up to 20 tonnes.

**All Shims Manufactured to  
Australian Standard AS3850.1:2015**

Product Code	Thickness (mm)	Colour	Qty/Bag
SHIM 01	1	Brown	100
SHIM 02	2	Blue	200
SHIM 03	3	Green	100
SHIM 05	5	Yellow	100
SHIM 10	10	Black	40
SHIM 15	15	Grey	40
SHIM 20	20	White	30



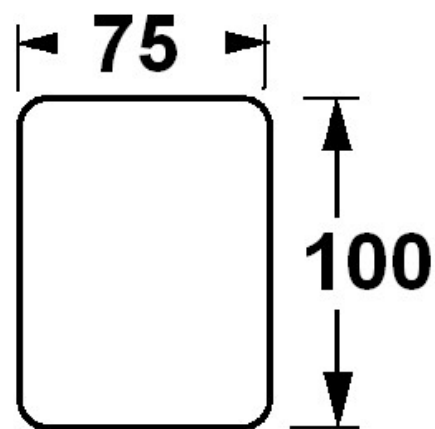
## Half Shims 100mm x 75mm



Solid Plastic Packers designed for packing underneath precast or tilt-up concrete panels during alignment on site, to gain a level with a non-skid surface.

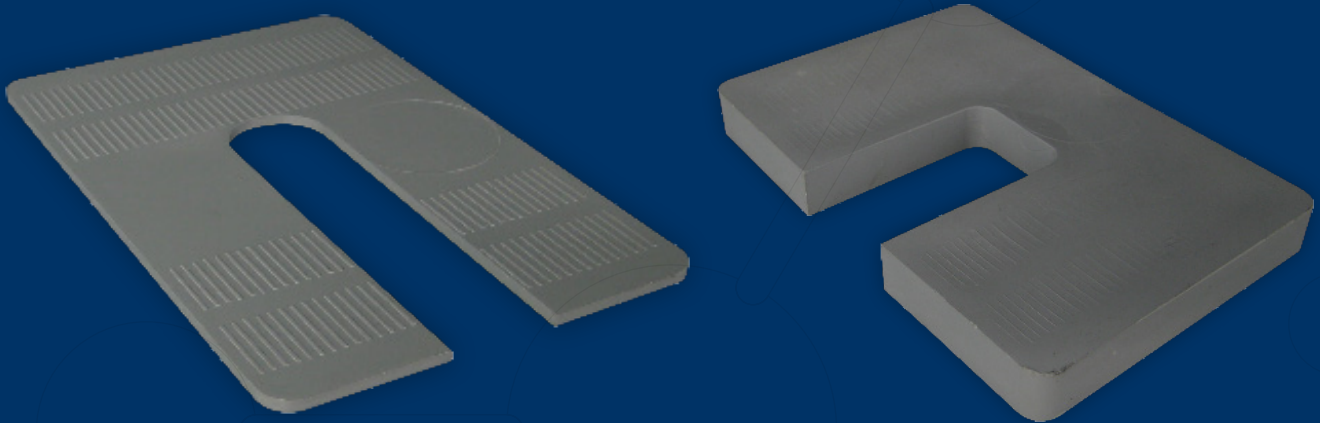
Colour coded by thickness for ease of selection. The packing shims are manufactured from quality high impact polypropylene and tested with compressive loads up to 20 tonnes.

Product Code	Thickness (mm)	Colour	Qty/Bag
SHS 01	1	Brown	200
SHS 02	2	Blue	400
SHS 03	3	Green	200
SHS 05	5	Yellow	200
SHS 10	10	Black	80
SHS 15	15	Grey	80
SHS 20	20	White	60



**Half Shim**

## Horseshoe Packing Shims

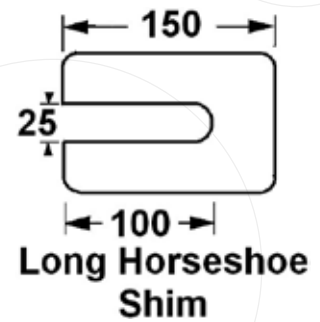


Horseshoe Plastic Shim Packers with long and short slots, are used for placement around starter bars, locating bolts and pins etc.

Manufactured in Australia from high impact polypropylene.

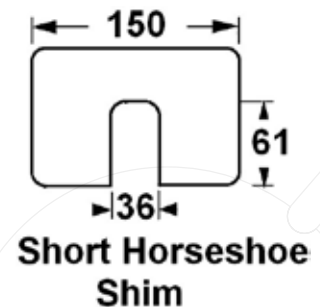
### Long Slot

Product Code	Thickness (mm)	Colour	Qty/ Bag
SHH 01L	1	Brown	100
SHH 02L	2	Blue	200
SHH 03L	3	Green	100
SHH 05L	5	Yellow	100
SHH 10L	10	Black	40
SHH 15L	15	Grey	40
SHH 20L	20	White	30



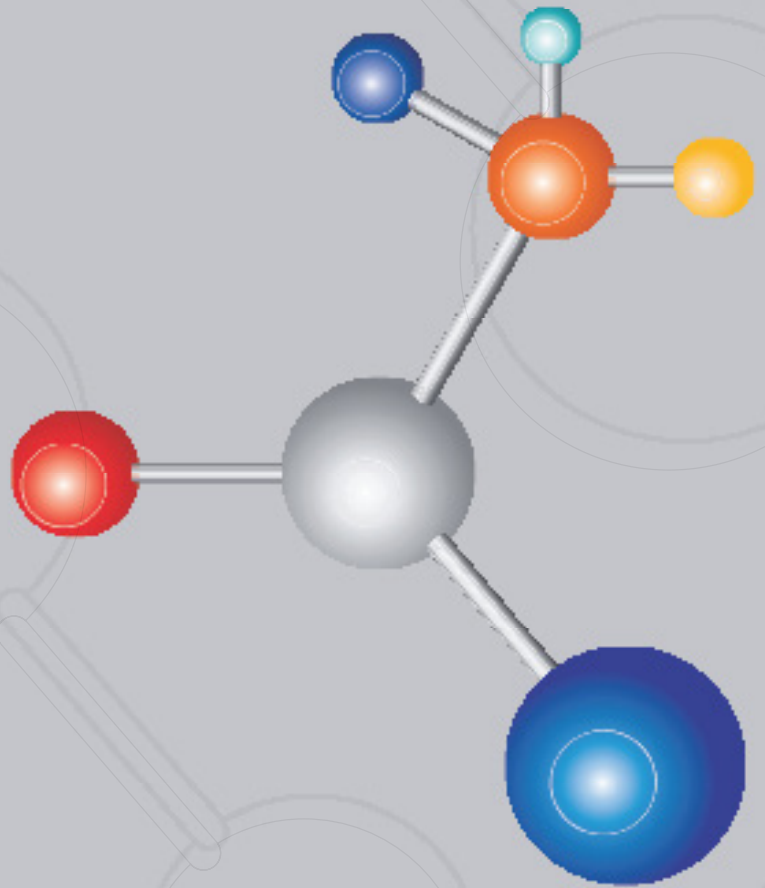
### Short Slot

Product Code	Thickness (mm)	Colour	Qty/ Bag
SHH 01	1	Brown	100
SHH 02	2	Blue	200
SHH 03	3	Green	100
SHH 05	5	Yellow	100
SHH 10	10	Black	40
SHH 15	15	Grey	40
SHH 20	20	White	30





**NOVAPLAS**



Australian manufacturers  
of plastic spacers for the  
construction industry.



**Novaplas**

Ph: 1800 999 159

[sales@novaplas.com.au](mailto:sales@novaplas.com.au)

[www.novaplas.com.au](http://www.novaplas.com.au)